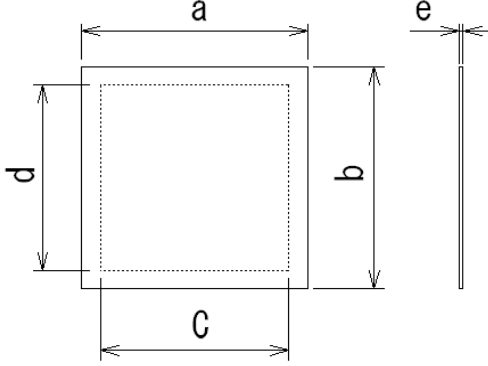
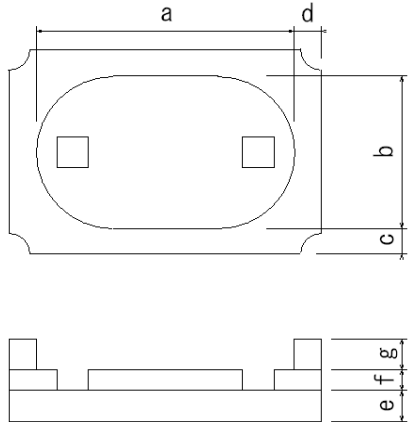
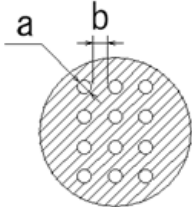
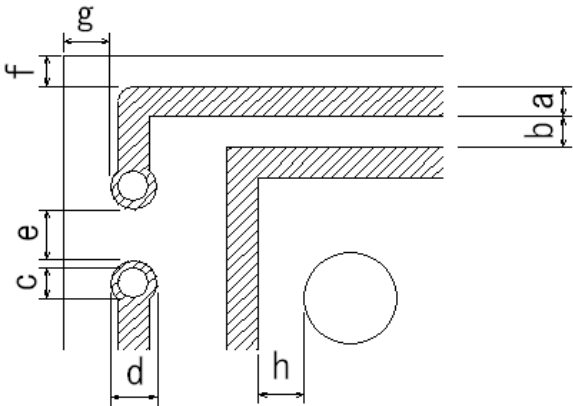


Item	Desc	Diagram	Standard (Al2O3)	Standard (AlN)	Remark
Material	Substrate Conductor OG		WhiteAl2O3/Black Al2O3 Ag/PdAg Transparent / Black	AlN Ag/PdAg Transparent / Black	
Structure	Substrate Size (a)(b) Substrate thickness (e) Dimensional Tolerance Thickness Tolerance Warpage		Thickness <math>< 0.5\text{mm}</math>, $\leq 110\text{mm}</math> Thickness \geq 0.5\text{mm}</math>, \leq 120\text{mm}</math> 0.1/0.25/0.38/0.5/0.635/0.8/1.0mm \pm 50\mu\text{m}</math> \pm 5\%</math> \leq \pm 0.2\%</math> $	$\leq 110\text{mm}</math> 0.25/0.36/0.5mm \pm 50\mu\text{m}</math> \pm 5\%</math> \leq \pm 0.2\%</math> $	
	Cavity Size (a)(b) Cavity Wall To Part Edge Spacing (c)(d) Floor Thickness(e) Min. thickness (f) Cavity Depth (g)		$a \geq 0.5\text{mm}</math> b \geq 0.50\text{mm}</math> c \geq 0.50\text{mm}</math> d \geq 0.50\text{mm}</math> 0.1/0.25/0.36/0.5/0.635/0.8/1.0mm 0.1mm 0.1 ~ 1.5mm $	$a \geq 0.5\text{mm}</math> b \geq 0.50\text{mm}</math> c \geq 0.50\text{mm}</math> d \geq 0.50\text{mm}</math> 0.25/0.36/0.5mm Al2O3 0.1mm Al2O3 0.1 ~ 1.5mm $	

Item	Desc	Diagram	Standard (Al2O3)	Standard (AlN)	Remark
Via	Thermal Via Diameter (a) Thermal Via Spacing (b)		a. ϕ 0.15mm~0.3mm b. 0.3mm	a. ϕ 0.15mm~0.3mm b. 0.3mm	
Traces	Min. Line Width (a) Min. Line Spacing (b) Min. Via Diameter (c) Min. Coverage Diameter (d) Min. Coverage Spacing (e) Line to Part Edge Spacing (f) Coverage to Part Edge Spacing (g) Line to Via Spacing (h)		0.1mm 0.1mm ϕ 0.15mm ϕ 0.15mm 0.15mm \geq 0.10mm \geq 0.10mm \geq 0.10mm	0.1mm 0.1mm ϕ 0.15mm ϕ 0.15mm 0.15mm \geq 0.10mm \geq 0.10mm \geq 0.10mm	